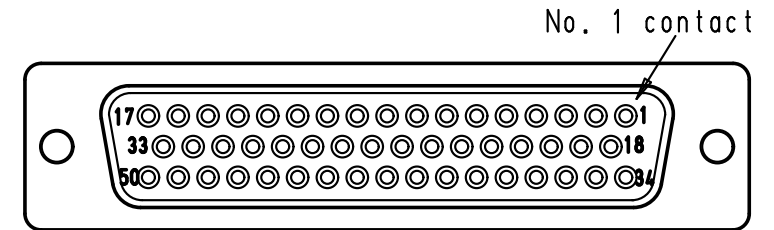
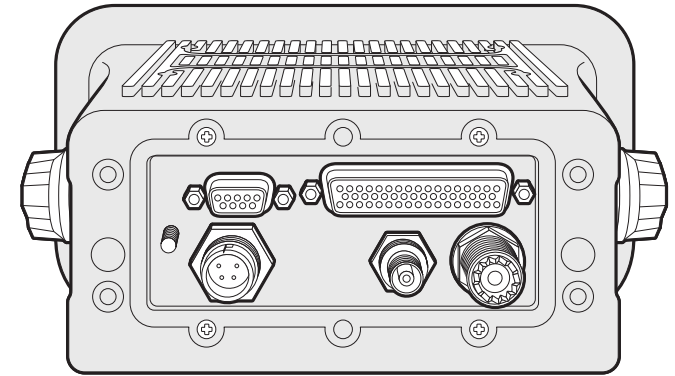
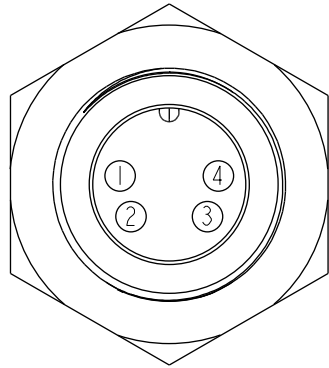


# em-trak A100 AIS

PIN	SIGNAL NAME	WIRE COLOUR EMTRAK	WIRE COLOUR LTW
1	POWER+ 12VDC..24VDC	BROWN	WHITE
2	POWER GND	BLACK	GREEN
3	ALARM RELAY COM	BLUE	RED
4	ALARM RELAY NORM OPEN	WHITE	YELLOW



PIN	SIGNAL NAME	WIRE COLOUR	TWISTED PAIR
1	SEN1_IN+(A)	WHITE / BLUE	1A
2	SEN1_IN-(B)	BLUE / WHITE	1B
3	PILOT_IN+(A)	RED / GREY	10A
4	PILOT_IN-(B)	GREY / RED	10B
5	LR_IN+(A)	RED / BLUE	6A
6	LR_IN-(B)	BLUE / RED	6B
7	SEN2_IN+(A)	WHITE / ORANGE	2A
8	SEN2_IN-(B)	ORANGE / WHITE	2B
9	SEN3_IN+(A)	WHITE / GREEN	3A
10	SEN3_IN-(B)	GREEN / WHITE	3B
11	DGPS_IN+(A)	RED / GREEN	8A
12	DGPS_IN-(B)	GREEN / RED	8B
13	EXT_DISP_IN+(A)	WHITE / BROWN	4A
14	EXT_DISP_IN-(B)	BROWN / WHITE	4B
15	SILENT_MODE / DEBUG_0	VIOLET / BLUE	21A
16	BLUE_SIGN / DEBUG_1	BLUE / VIOLET	21B
17	DEBUG_3	ORANGE / VIOLET	22B

PIN	SIGNAL NAME	WIRE COLOUR	TWISTED PAIR
18	SEN1_GND	BLACK / ORANGE	12A
19	CHASSIS* / COM	VIOLET / BROWN	24A
20	PILOT_IN_GND	BLJE / YELLOW	16B
21	CHASSIS* / COM	BROWN / VIOLET	24B
22	LR_IN_GND	BLACK / GREY	15A
23	CHASSIS* / COM	VIOLET / GREY	25A
24	SEN2_GND	ORANGE / BLACK	12B
25	CHASSIS* / COM	GREY / VIOLET	25B
26	SEN3_GND	BLACK / GREEN	13A
27	ALM_NC	YELLOW / BROWN	19A
28	DGPS_IN_GND	GREY / BLACK	15B
29	ALM_NO	BROWN / YELLOW	19B
30	EXT_DISP_IN_GND	GREEN / BLACK	13B
31	ALM_COM	YELLOW / GREY	20A
32	TX_SYNC	GREY / YELLOW	20B
33	DEBUG_2	VIOLET / ORANGE	22A

PIN	SIGNAL NAME	WIRE COLOUR	TWISTED PAIR
34	AUX_PWR	VIOLET / GREEN	23A
35	AUX_PWR	GREEN / VIOLET	23B
36	DGPS_OUT-(B)	BROWN / RED	9B
37	DGPS_OUT+(A)	RED / BROWN	9A
38	LR_OUT-(B)	ORANGE / RED	7B
39	LR_OUT+(A)	RED / ORANGE	7A
40	PILOT_OUT+(A)	BLACK / BLUE	11A
41	EXT_DISP_OUT+(A)	WHITE / GREY	5A
42	PILOT_OUT-(B)	BLUE/ BLACK	11B
43	EXT_DISP_OUT-(B)	GREY / WHITE	5B
44	EXT_DISP_OUT_GND	BLACK / BROWN	14A
45	LR_OUT_GND	BROWN / BLACK	14B
4<	DGPS_OUT_GND	YELLOW / BLUE	16A
47	PILOT_OUT_GND	YELLOW / GREEN	18A
48	RS232_TX	GREEN / YELLOW	18B
49	RS232_RX	YELLOW / ORANGE	17A
50	RS232_GND	ORANGE / YELLOW	17B