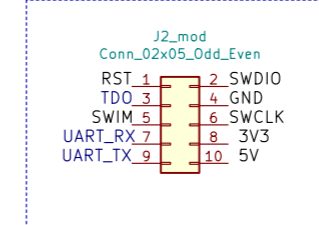
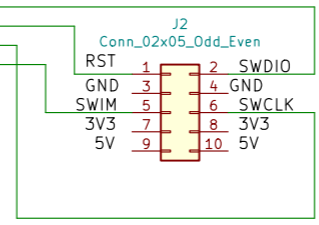
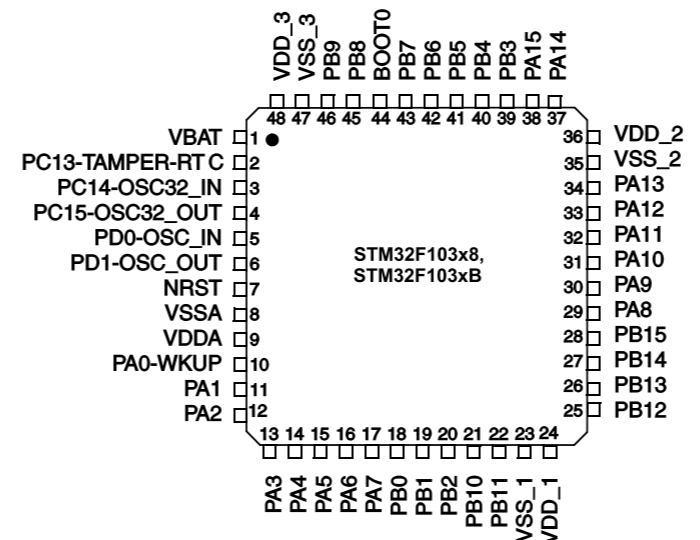
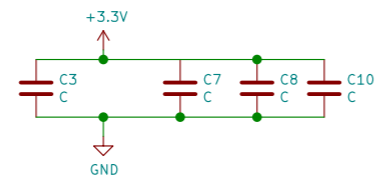
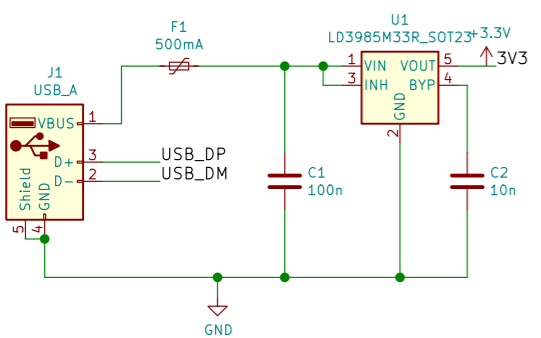


stock pinout



- proposed pinout**
- * add SWO/TDO
 - * add async serial RX/TX
 - * simple modification
 - * keep compatibility with STLink versions and BlackMagic Probe (BMP)



STLink Chinaclone
stlinkclone_reveng.sch